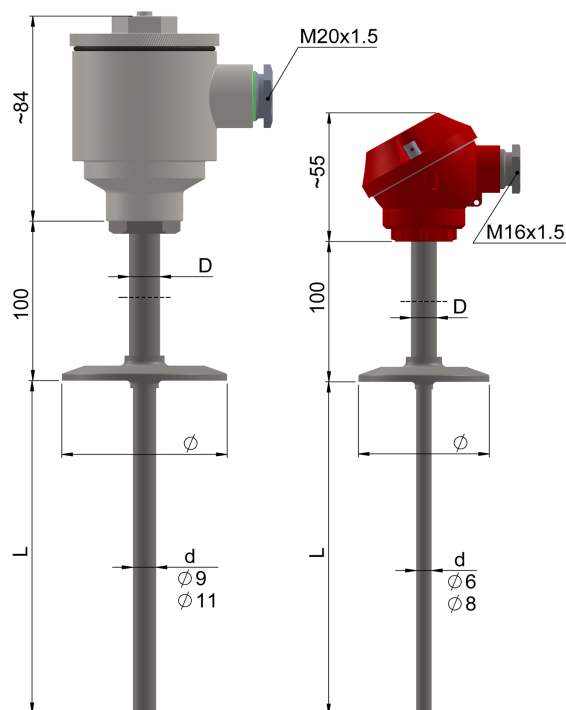


## Temperature sensors for food industry TOPT-287

### Technical description

| Measuring range / sensing element                      |                         |          |    |
|--|-------------------------|----------|----|
| (-40 ÷ 200) °C   | Pt100                   | class B  |    |
| Thermowell   |                         |          |    |
| - material: steel 1.4541                               |                         |          |    |
| - clamping tube connection acc. to PN-ISO 2852         |                         |          |    |
| - length L [mm]: 30÷1000                               |                         |          |    |
| Connection dimension                                   | Type of head connection | Diameter |    |
|  |                         | D        | d  |
| 1"   | MBEG, MAA               | 10       | 6  |
| 1½"  | MBEG, MAA               | 10       | 8  |
| 2"   | BEG, BA                 | 12       | 9  |
| 3"   | BEG, BA                 | 12       | 11 |
| Construction version                                   |                         |          |    |
| - PZH approval   |                         |          |    |
| Connection head  |                         |          |    |
| - MA, BA; IP 54 (-40 ÷ 100) °C                         |                         |          |    |
| - MBEG, BEG - material 1.4541, IP65 (-40 ÷ 100) °C     |                         |          |    |
| Options  |                         |          |    |
| - Pt1000, Ni100, Ni1000                                |                         |          |    |
| - Pt100: class A (-30 ÷ 200) °C, class AA (0 ÷ 150) °C |                         |          |    |
| Additional accessories                                 |                         |          |    |
| - temperature transmitters – p. 225+241                |                         |          |    |



Resistors tolerance acc. to PN-EN 60751

| Class | Wire wound resistor |                   |
|-------|---------------------|-------------------|
|       | Range [°C]          | Tolerance [°C]    |
| AA    | (-50÷250)           | ±(0,1+0,0017· t ) |
| A     | (-100÷450)          | ±(0,15+0,002· t ) |
| B     | (-196÷600)          | ±(0,3+0,005· t )  |

Response time T05/T09

| Sensor type | ø9      | ø11      |
|-------------|---------|----------|
| Pt          | ≤33/≤95 | ≤40/≤120 |

### Ordering code

| Temperature sensor                 | ...     | TOPT-287           | ...          | ... | ... | ...    | ...   | ...     | ... | ...    | ...           |
|------------------------------------|---------|--------------------|--------------|-----|-----|--------|-------|---------|-----|--------|---------------|
| Single                             | no sign |                    |              |     |     |        |       |         |     |        |               |
| Double                             | 2       |                    |              |     |     |        |       |         |     |        |               |
| With transmitter                   | AP      |                    |              |     |     |        |       |         |     |        |               |
| Connection dimension               |         | 1, 1½, 2, 3        |              |     |     |        |       |         |     |        |               |
| Head connection type               |         | MAA, BA, MBEG, BEG |              |     |     |        |       |         |     |        |               |
| Sheath length L [mm]               |         | 50, 100, 200, 300* |              |     |     |        |       |         |     |        |               |
| Thermowell diameter d [mm]         |         |                    | 6, 8, 9, 11* |     |     |        |       |         |     |        |               |
| Resistor type                      |         |                    |              |     |     | Pt100* |       |         |     |        |               |
| Resistor class                     |         |                    |              |     |     |        | A, B* |         |     |        |               |
| Measuring circuit                  |         |                    |              |     |     |        |       | 2, 3, 4 |     |        |               |
| Type of transmitter                |         |                    |              |     |     |        |       |         |     | RT-01* |               |
| Setting of transmitter temperature |         |                    |              |     |     |        |       |         |     |        | (0 ÷ 100) °C* |

\* or others acc. to requirements

### Ordering example

TOPT-287-2-BA-300-9-Pt100-A-3 sensor with Pt100, class A, 3-wire connection, sheath length L=300 mm, sheath diameter 9 mm, with BA connection head and 2" clamping flange